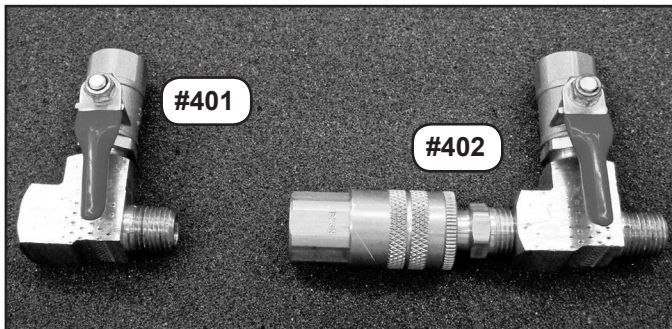


Bleeders

A bleeder is considered the simplest and most efficient way to release trapped air or foreign matter in the system prior to directing pressure to the gauge. Additionally, opening of the bleeder port before closing the hydrant on a test cap will assure that the gauge will not become over pressured. All of our bleeders incorporate a high quality 1/4" ball valve. These are durable and easy to use. Coupled with a quick disconnect fitting, the gauge can then be rotated during use for easier reading.

Note: To prevent your gauge from being over pressured by trapped air or water at the time the hydrant valve is being closed, a bleeder port must be opened between the test cap and gauge.



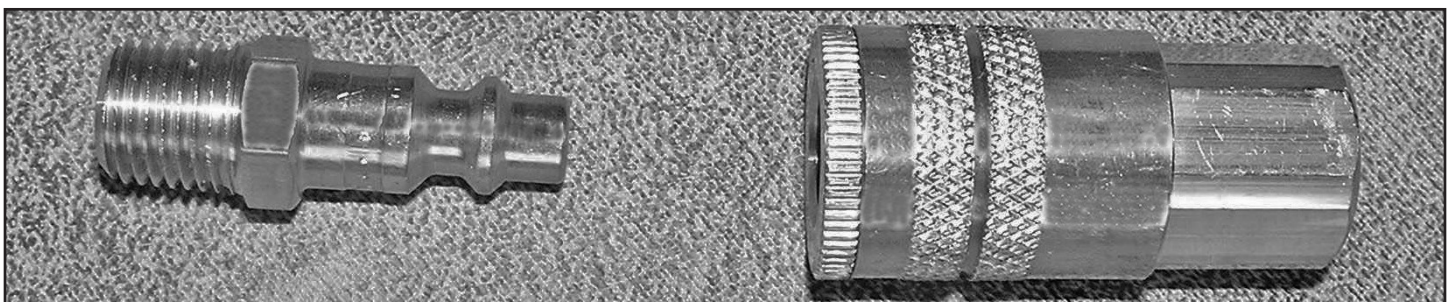
#401 Single Ball Valve Bleeder: Opening the ball valve permits bleeding, while closing the valve directs pressure to the port mounted gauge. **\$19.95**

#402 Single Ball Valve Quick Disconnect Bleeder: The ball valve on the bleeding port is used to control both bleeding and pressure to the gauge. In the open position, air and foreign matter are released through the valve. Closing the valve forces pressure through the quick disconnect fitting to the port mounted gauge. **\$35.95**

#403 Double Ball Valve Bleeder: This type allows one valve to control the bleeding process and the other valve to control when pressure is applied to the mounted gauge. **\$35.95**

#404 Double Ball Valve Quick Disconnect Bleeder: Bleeding is controlled through one valve while the other opens and closes flow to the quick disconnect mounted gauge. **\$49.95**

Quick Disconnect Fitting



#405 Quick Disconnect Fitting: This is a high quality Parker #B23N quick disconnect fitting with stainless steel locking balls. It allows for easy removal of the pressure gauge to either the pitot tube or bleeder assembly. Results have shown longer gauge and calibration life when quick disconnect fittings are used for hook up. Comes with both male and female portions. **\$19.95**